

## GEN-R100F Stainless Steel 316 Latch Hook With Friction

### Features

- Hook is spring loaded to retract, preventing hooked items from falling off
- Swivels 90°, can be folded when not in use
- Friction function prevents unintentional swinging
- Suitable for exterior use
- Chain or rope up to  $\varnothing 16$  in diameter can be hung

### Parts Included

- Binding head tapping screw 5×30 (SUS)



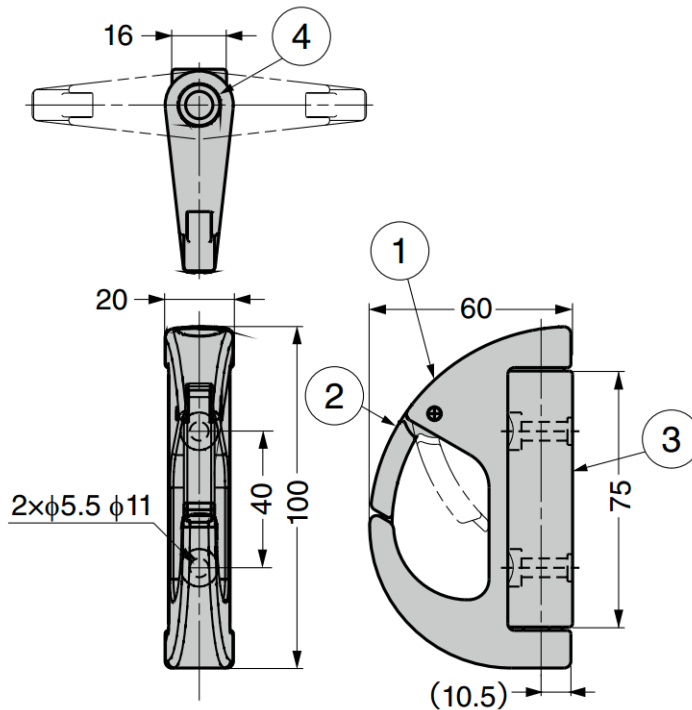
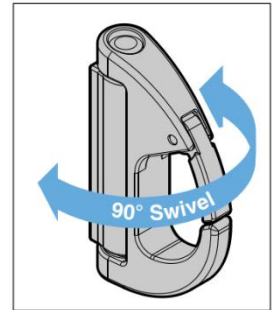
When closed



When opened

No.	Part Name	Material	Finish
①	Body	Stainless Steel (SCS14)	Polished
②	Arm		
③	Base	Stainless Steel (SUS316)	Plain
④	Shaft		

※SCS14 is equivalent of SUS316.



Part No.	Applicable Rope Diameter	Load Capacity	
GEN-R100F	Max. $\varnothing 16$	588 N	60 kg